



2018 CATALOG



SEL-311L

LINE CURRENT DIFFERENTIAL PROTECTION AND AUTOMATION SYSTEM

Starting Price
5,000 USD



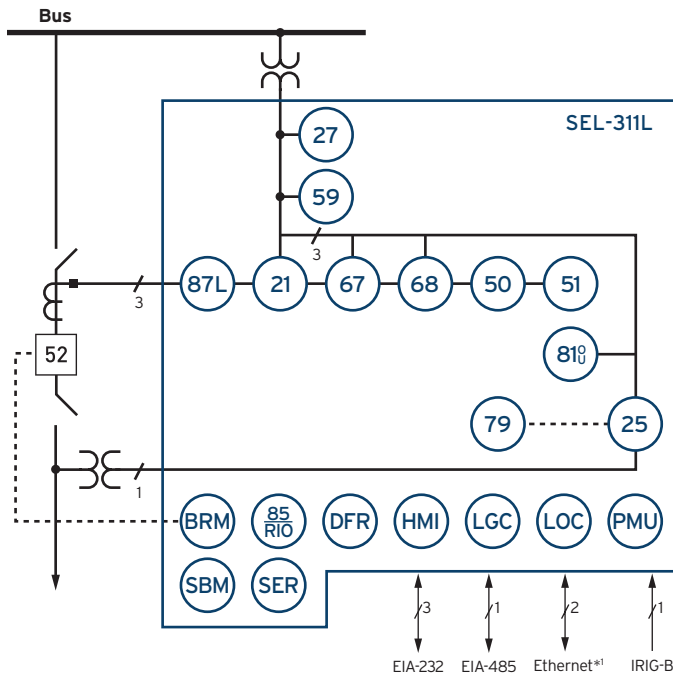
FOR COMPLETE INFORMATION, VISIT SELINC.COM/SEL-311L

Line Current Differential Protection—Apply single- or three-pole subcycle differential protection. A vector ratio of the local and remote phase and sequence currents provides high-speed protection independent of line loading, CT saturation, or tapped load. Use a true hot-standby differential channel for increased dependability and security. Loss of the primary channel does not cause loss of protection.

Distance and Overcurrent Backup—Enable up to four zones of phase and ground mho distance elements plus four zones of ground quadrilateral distance elements. Distance protection plus directional and nondirectional overcurrent elements provide a full backup protection system. Apply distance and overcurrent functions in communications-assisted and stepped-distance schemes.

Direct Fiber or Multiplexed Communications—Provide reliability and security with one or two differential communications channels. Select from ITU-T G.703 or EIA-422 electronic interfaces, IEEE C37.94, 1,300 nm single- or multimode optical fiber, or 1,550 nm single-mode optical fiber. The Alpha Plane restraint characteristic accommodates channel asymmetry and switching without loss of security or sensitivity.

Three-Terminal and Tapped Lines—Accommodate three-terminal lines, even with weak infeed. Tapped line settings make maximum use of communications for secure protection.



ANSI NUMBERS/ACRONYMS AND FUNCTIONS

21	Phase and Ground Distance
25	Synchronism Check
27/59	Under-/Overvoltage
50	Overcurrent
51	Time-Overcurrent
67	Directional Overcurrent
68	Out-of-Step Block/Trip
79	Single-/Three-Pole Reclosing
81 (O,U)	Over-/Underfrequency
85 RIO	SEL MIRRORED BITS® Communications
87L	Current Differential
DFR	Event Reports
HMI	Operator Interface
LGC	SELogic® Control Equations
MET	High-Accuracy Metering
PMU	Synchrophasors
SER	Sequential Events Recorder

ADDITIONAL FUNCTIONS

BRM	Breaker Wear Monitor
LDE	Load Encroachment
LOC	Fault Locator
SBM	Station Battery Monitor

*Optional feature ¹Copper or fiber-optic